

# ANALOGUE, ADDRESSABLE, IONISATION SMOKE DETECTOR NS-AIS

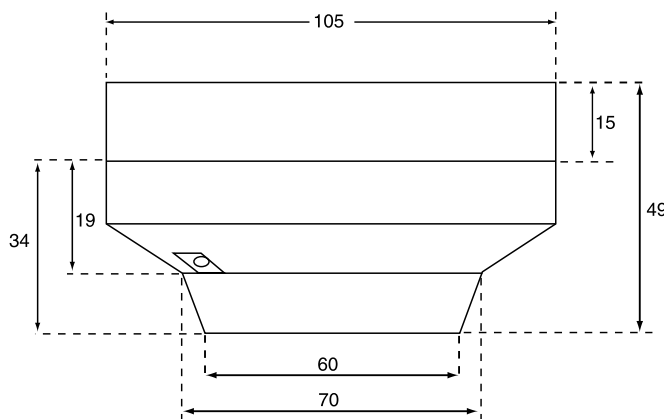
CE 6.4.2.1.E-P



## SPECIFICATION:

Detector module:	White PC with metal net around the chamber
Base:	White PC
Operating Voltage:	15-35 VDC
Operating Current:	0,2 mA
Alarm Current:	ca 2,5 mA
Operating temperature:	-25°C to +70°C
Max humidity:	0-100%rF
Radioactive source:	Americium 241
Activity:	0,9 microCi (Max 33 kBq)
Sensitivity:	According to EN-54-7
Tests according to EN-54:	DELTA (Denmark)
Approved by:	Statens Strålskyddsinstitut (Sweden)
Weight:	ca 180 g
Smoke Alarm:	Indicated by red LED
Output to external LED:	Max 2 mA
Sensing method:	Dual Ionisation Chamber

## DIMENSIONS:



- Addressable, at alarm the detector number is shown on the display
- More reliable alarm
- Intelligent control of contamination
- Strong immunity to air velocities, insects and EMC interference

## GENERAL INFORMATION:

The NS-AIS detector is utilising the dual chamber principle, where the outer chamber is exposed to the particles in the air and the inner chamber is used as reference to compensate for slow changes in the atmosphere as pressure, humidity and temperature. Alarm is obtained when the concentration of smoke particles in the air reaches the preset alarm value. The detector contains an intelligent controlling circuit. This circuit is adjusting the sensitivity to give an optimal function during the whole life time of the detector.

When the controlling circuit can no longer compensate for contamination a service alarm is indicated.

The NS-AIS contains a micro controller. The address is set by means of a DIL-switch. The DIL-switch allows 32 addresses to be set.

When the LED indicator on the detector is lit, it is confirmed that the alarm has been received by the control panel.

The communication safety is guaranteed by a so called FSK communication with collision defect and data checking. This loop of communication is unaffected by electric interference to such a degree that standard cable can be used.

The reliable operation of the detector and its high sensitivity for smoke particles makes the detector suitable to supervise and protect all areas where a high degree of protection is required, like libraries, archives, computer installations, storage of goods, hotels, offices etc.

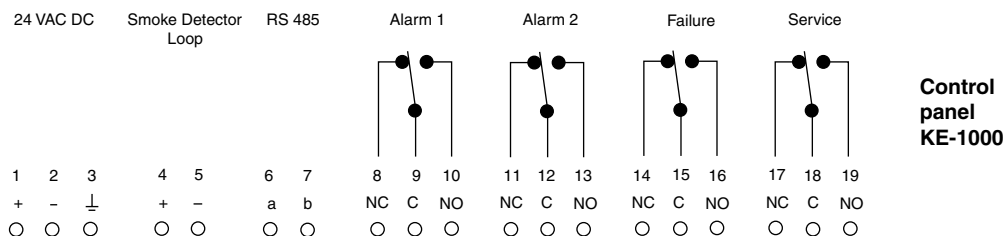
The detector is available in three versions:

- 1) Standard for normal rooms
- 2) For ventilation duct applicatiotn
- 3) For tough industrial environments, with base IP-55.

# ANALOGUE, ADDRESSABLE, IONISATION SMOKE DETECTOR NS-AIS

# 6.4.2.1.E-P

## WIRING DIAGRAM:



The relay contacts are shown in volt free position.  
Relay output max: 250VAC/8A

