

OPTICAL SMOKE DETECTOR ST-P-DA / 24V

with built-in service alarm

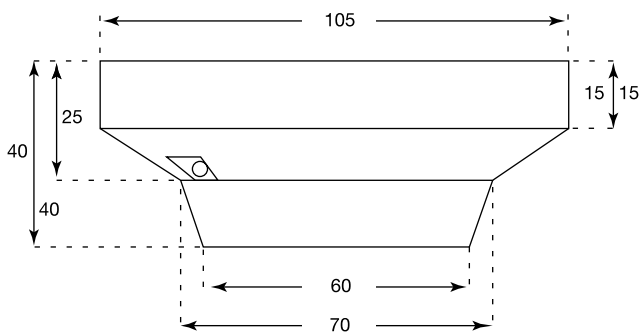
CE 6.1.12.4.E



SPECIFICATION:

Detector module:	White PC with metal net around the chamber
Base:	White PC
Operating voltage:	16-30VDC
Operating current:	approx. 0,04mA
Service alarm current:	approx. 13mA
Alarm current:	approx. 55mA
Operating temperature:	-10°C to 50°C
Max humidity:	99%rF
Tests according to EN-54:	LPC (England)
Weight:	ca 180g
Service alarm indication:	Green LED
Fire alarm indication:	Red LED

DIMENSIONS:



Mounting: 2 off M4

GENERAL INFORMATION:

The optical detector gives an early warning of a starting fire, especially from fires producing big particles i.e. smoldering fires.

The detecting chamber contains an emitter and a receiver. Normally the pulsed light-ray from the emitter does not reach the receiver. When smoke particles enter the chamber they will reflect the light-ray onto the receiver and alarm is obtained. The alarm is indicated by a red LED on the detector, and the alarm status continuous until manual reset is made on the control unit. In operating position, the emitter is pulsing every 8 second to maintain a low monitoring current.

The detector design provides strong immunity to air velocities, contamination and RF interference.

The detector module fits into the base by means of the bayonet principle, enabling easy mountage of the detector.

If the detector is contaminated, it will gradually go into an alarm position. In order to avoid nuisance alarms, the detector is provided with a pre-alarm or service alarm (green LED) showing that the detector module should be cleaned.

ELECTRICAL DIAGRAM:

