

Smoke Detector Control panel KE-1000

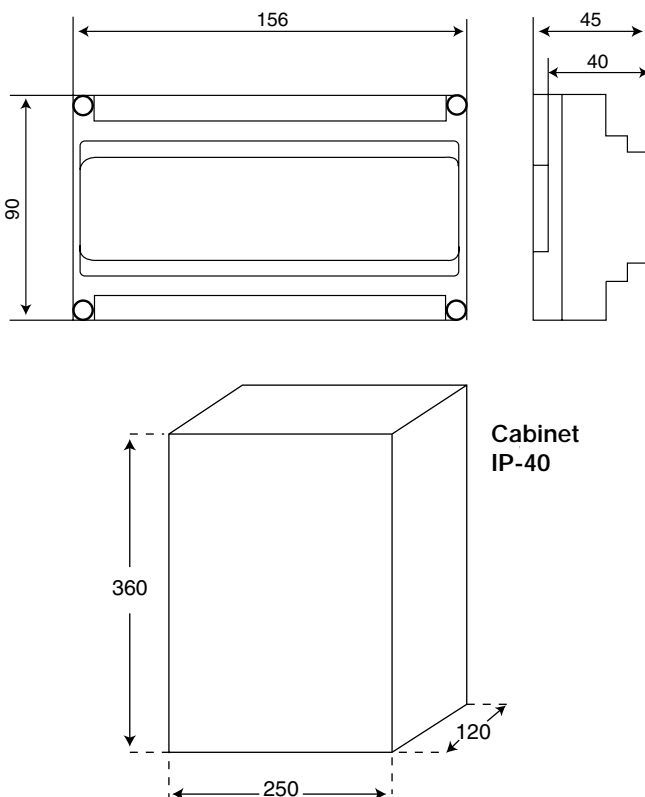
CE 6.4.1.E-P



SPECIFICATION:

Supply voltage:	24VADC, -15%, +20%
Current consumption	
In normal operation:	prel. 50mA
In alarm:	prel 100 mA
Material in housing:	ABS
Mountage:	DIN-rail, in cabinet for wall mounting, IP-40
Weight:	ca 450 g (with cabinet ca 4 kg)
Dimensions:	156x90x45 mm (with cabinet 250x360x120 mm)
Number of detectors:	Max 32 detectors can be connected
Relay output:	250VAC/8A

DIMENSIONS:



GENERAL INFORMATION:

The control panel, KE-1000, is designed for small facilities like hotels, industries, offices, etc.

Several types of detectors can be connected to the control panel, optical and ionisation smoke detectors and heat detectors.

The detectors are of analogue type, which means more reliable alarm and strong immunity against unwanted alarms from dirty detectors, transients, insects etc.

The KE-1000 control panel is provided with a display showing the status of the detectors like, alarm address (the detector number), degree of contamination, failure, etc. The display is also used at the start up of the system. The control panel has relay outputs for control of fire doors and fans. There is also one RS485 output for external communication.

INSTRUCTION:

Normal operation: 2 alarm relays, not activated.
1 service alarm relay, not activated.
1 failure relay, activated.
Operation = the green LED is lit.

Short circuit or broken detector line: 2 alarm relays, not activated.
1 service alarm relay, not activated.
1 failure relay, not activated (drops).
Operation green LED is lit.
Failure yellow LED is lit.

Detector in service alarm: 2 alarm relays, not activated.
1 service alarm relay, activated (blink).
1 failure relay, activated.
Operation green LED is lit.
Service alarm yellow LED is lit.
The red LED of the sensor = blink 1/2 Hz.

Detector in alarm: 2 alarm relays, activated (drops).
1 service alarm relay, not activated.
1 failure relay, activated.
Operation green LED is lit.
Alarm red LED is lit.
The red LED of the sensor is lit.

When the reset push button is pressed: All relays are changing and all LED:s are lit as long as the button is pressed.

When supply voltage is connected: The failure alarm relay is activated.



Smoke Detector Control panel KE-1000

6.4.1.E-P

WIRING DIAGRAM

